

This design highlights the profile's overall dimensions. See installation manual for more details.



**Compatible with:**

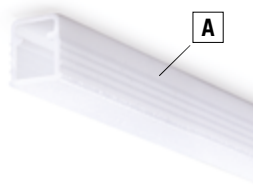
|                          |    |
|--------------------------|----|
| FLEXILED UHE6 PW         | 30 |
| <b>FLEXILED SHE6 PW*</b> | 34 |
| FLEXILED HE6 PW          | 38 |
| FLEXILED HE6 TW PW       | 46 |

\* Recommended

**APEX**

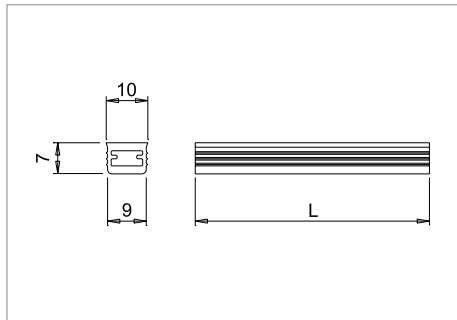
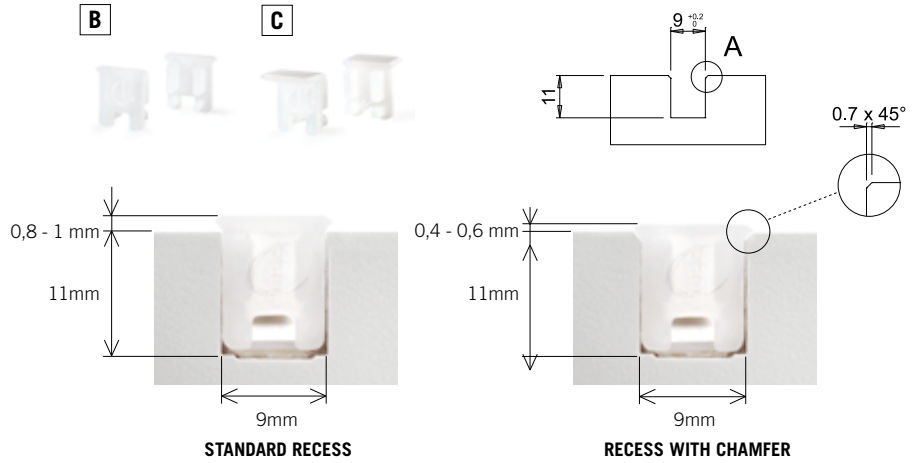
polycarbonate profile for recessed groove installation

| Code        | Model                                 | Length  | Finish |
|-------------|---------------------------------------|---------|--------|
| 3055301/200 | A - Polycarbonate profile             | 2000 mm | white  |
| 3055301/300 | A - Polycarbonate profile             | 3000 mm | white  |
| 4008601     | B - 2 heads for through-milled groove |         | white  |
|             | C - 2 heads for blind groove          |         | white  |



APEX is designed for recessed installation in a blind or through-milled groove which is 9 mm wide and 11 mm deep.

APEX's unique shape hides the irregular edges of the groove (mouse-bite). By making a 0.7 mm chamfer at 45°, it is possible to reduce the protrusion from the groove by a further 0.4mm.



This design highlights the profile's overall dimensions. See installation manual for more details.



**Compatible with:**

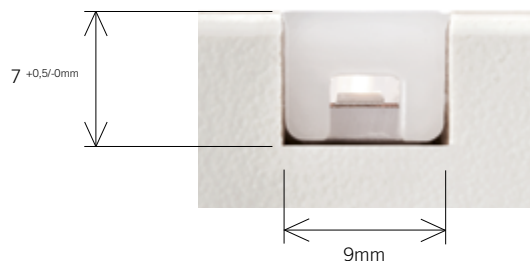
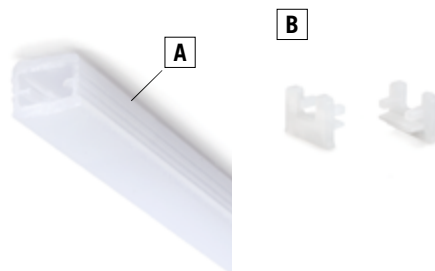
|                          |    |
|--------------------------|----|
| <b>FLEXILED UHE6 PW*</b> | 30 |
| FLEXILED SHE6 PW         | 34 |
| FLEXILED HE6 PW          | 38 |
| FLEXILED HE6 TW PW       | 46 |

\* Recommended

**APEX H7**

polycarbonate profile for recessed groove installation

| Code        | Model                                 | Length  | Finish |
|-------------|---------------------------------------|---------|--------|
| 3063701/200 | A - Polycarbonate profile             | 2000 mm | white  |
| 3063701/300 | A - Polycarbonate profile             | 3000 mm | white  |
| 4010101     | B - 2 heads for through-milled groove |         | white  |



The specific shape of **APEX H7** allows you to install it recessed and flush with the panel with the profile completely encased inside the groove.