

This design highlights the profile's overall dimensions. See installation manual for more details.



Compatible with:

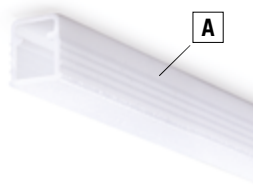
FLEXYLED UHE6 PW	30
FLEXYLED SHE6 PW*	34
FLEXYLED HE6 PW	38
FLEXYLED HE6 TW PW	46

* Recommended

APEX

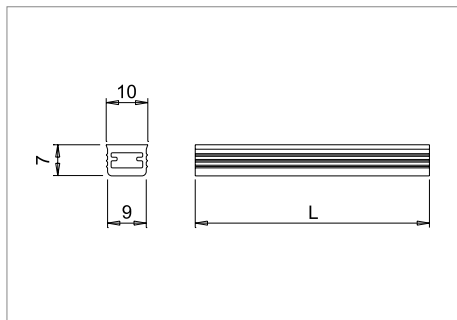
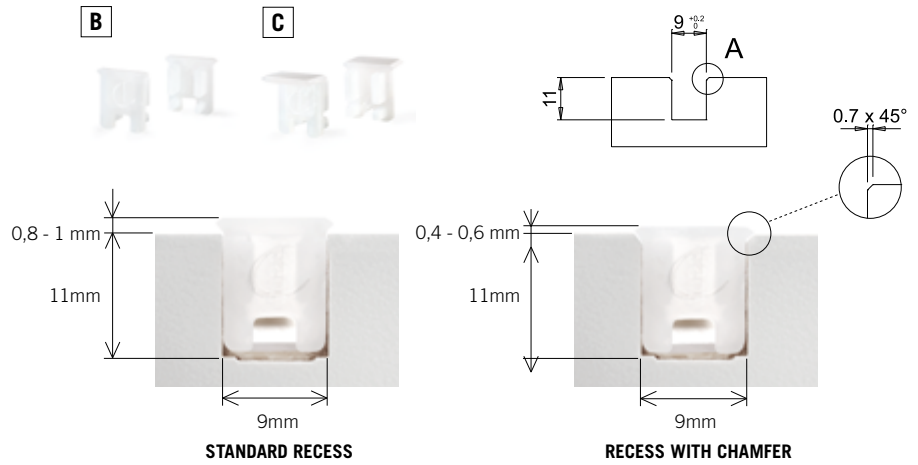
polycarbonate profile for recessed groove installation

Code	Model	Length	Finish
3055301/200	A - Polycarbonate profile	2000 mm	white
3055301/300	A - Polycarbonate profile	3000 mm	white
4008601	B - 2 heads for through-milled groove		white
	C - 2 heads for blind groove		white



APEX is designed for recessed installation in a blind or through-milled groove which is 9 mm wide and 11 mm deep.

APEX's unique shape hides the irregular edges of the groove (mouse-bite). By making a 0.7 mm chamfer at 45°, it is possible to reduce the protrusion from the groove by a further 0.4mm.



This design highlights the profile's overall dimensions. See installation manual for more details.



Compatible with:

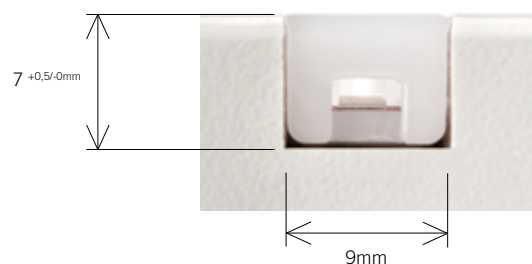
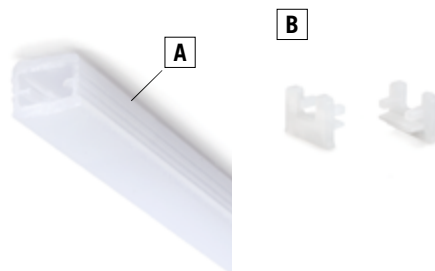
FLEXYLED UHE6 PW*	30
FLEXYLED SHE6 PW	34
FLEXYLED HE6 PW	38
FLEXYLED HE6 TW PW	46

* Recommended

APEX H7

polycarbonate profile for recessed groove installation

Code	Model	Length	Finish
3063701/200	A - Polycarbonate profile	2000 mm	white
3063701/300	A - Polycarbonate profile	3000 mm	white
4010101	B - 2 heads for through-milled groove		white



The specific shape of **APEX H7** allows you to install it recessed and flush with the panel with the profile completely encased inside the groove.