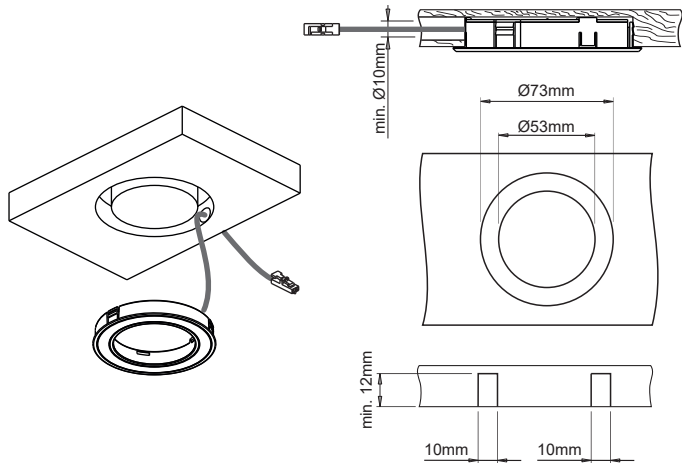
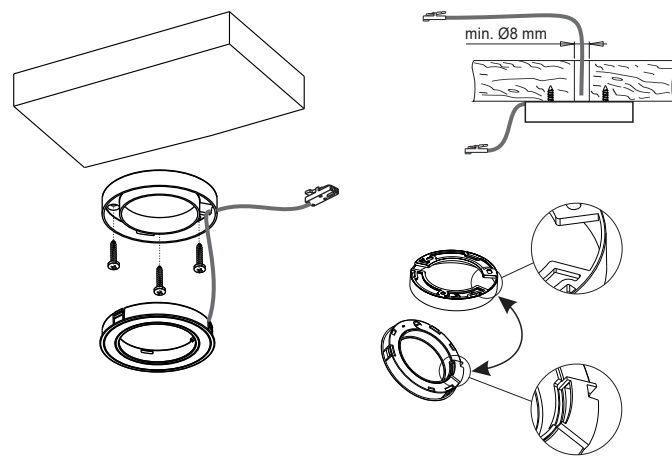


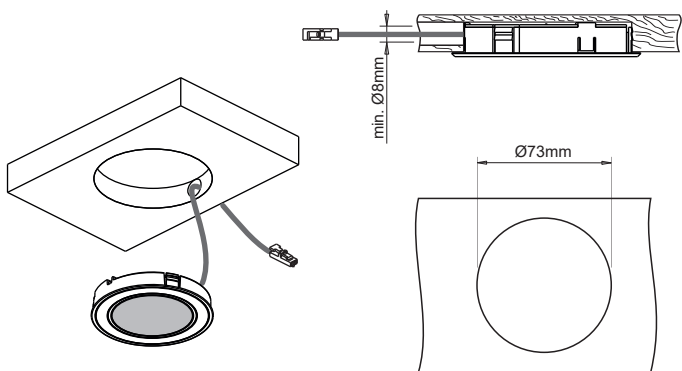
HOLL BH



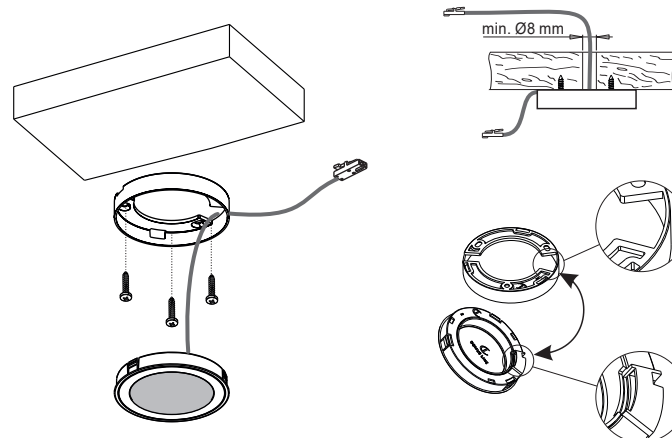
HOLL BH SP



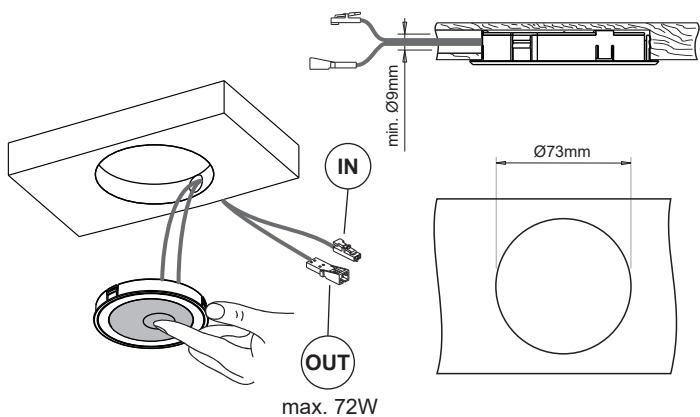
HOLL TH



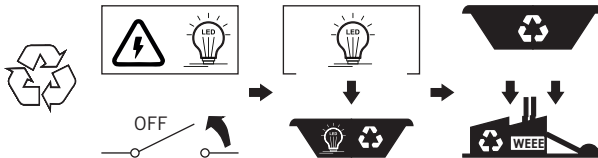
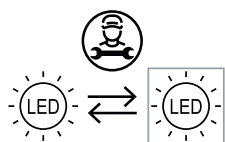
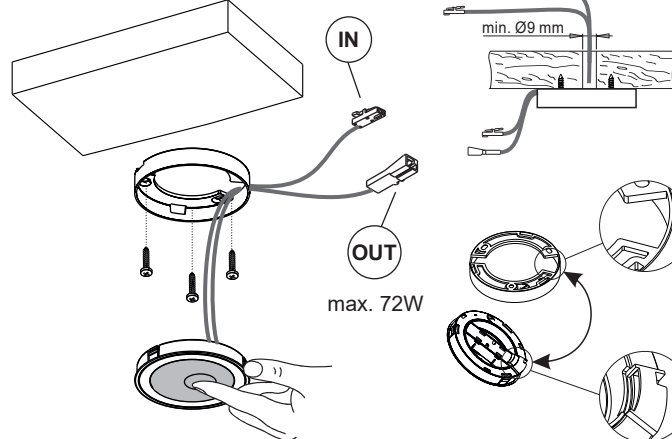
HOLL TH SP



HOLL TDM



HOLL TDM SP



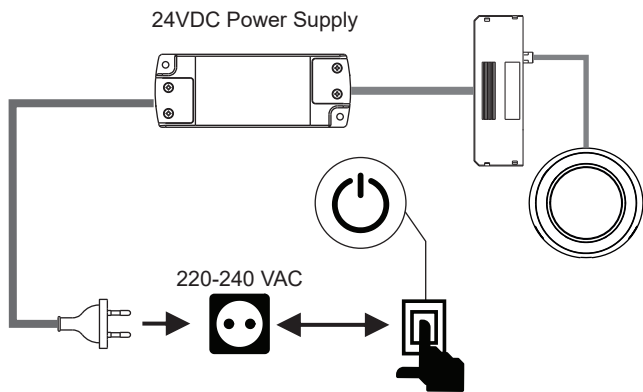
HOLL



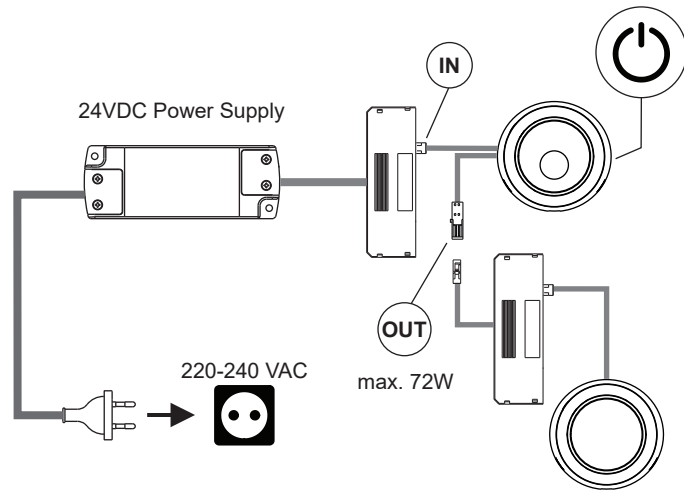
HOLL SP



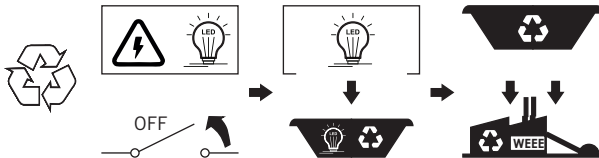
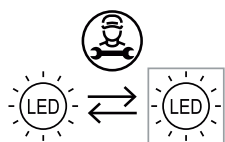
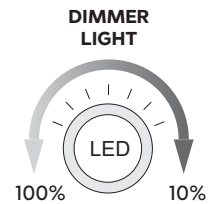
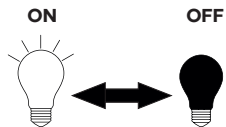
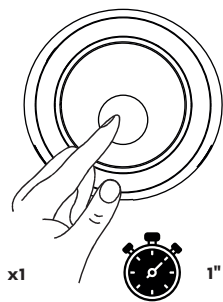
HOLL (BH - TH / SP)



HOLL TDM



HOLL TDM



HOLL



HOLL SP